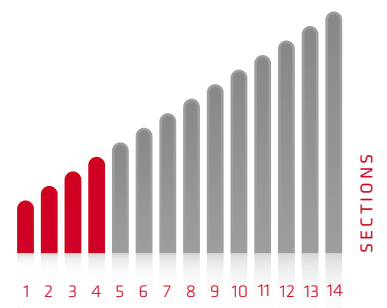


ROOF MASTS

Electropneumatic Roof Plus Pro



The roof mast model PLUS PRO has a main tube Ø90 and Ø115, and is equipped with a tilt and turn unit NOVA 12V or 24V, a micro switch, a multifunctional remote control for all the mast's functions (please see page 204) and one electronic board.

The roof PLUS has a stronger structure than the BASE one and can carry bigger top loads.

As optional there can be supplied also a tilt and turn unit with independent tilting (please see page 197), a built-in compressor, a wireless remote control or a SMART remote control (please see page 205).

This system is suitable for the most common lamp units, from 4x1000W Halogen to 6x1000W Halogen, 2x1000W MH/HPS, 6xLED lamps, 4x400W MH or HPS etc.



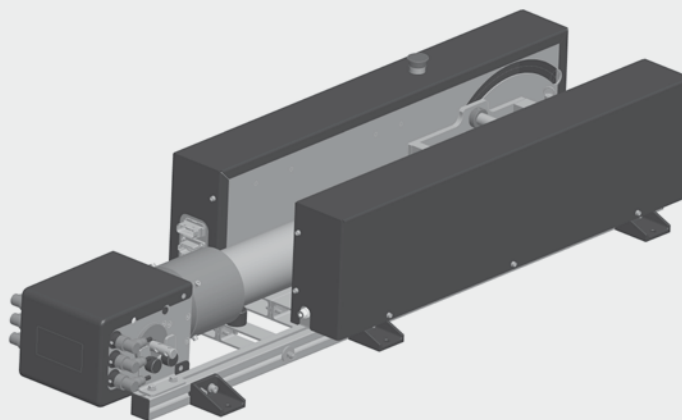
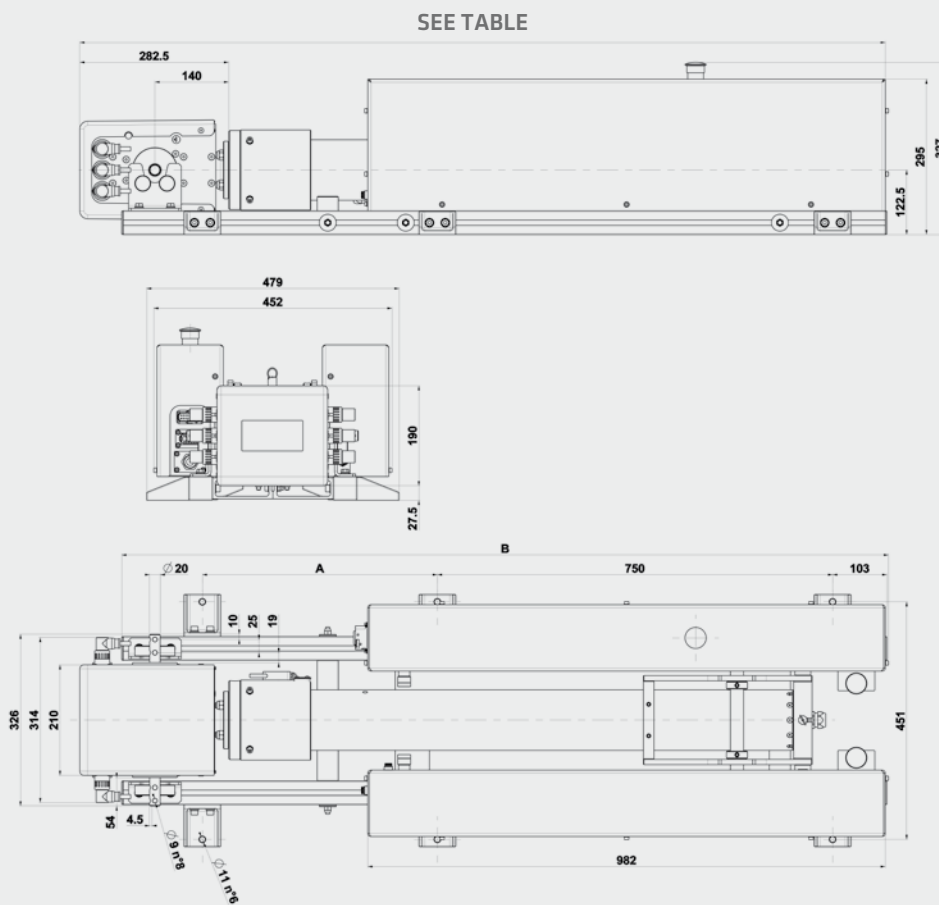
APPLICATIONS

Electropneumatic Roof Plus Pro

TECHNICAL LAYOUT

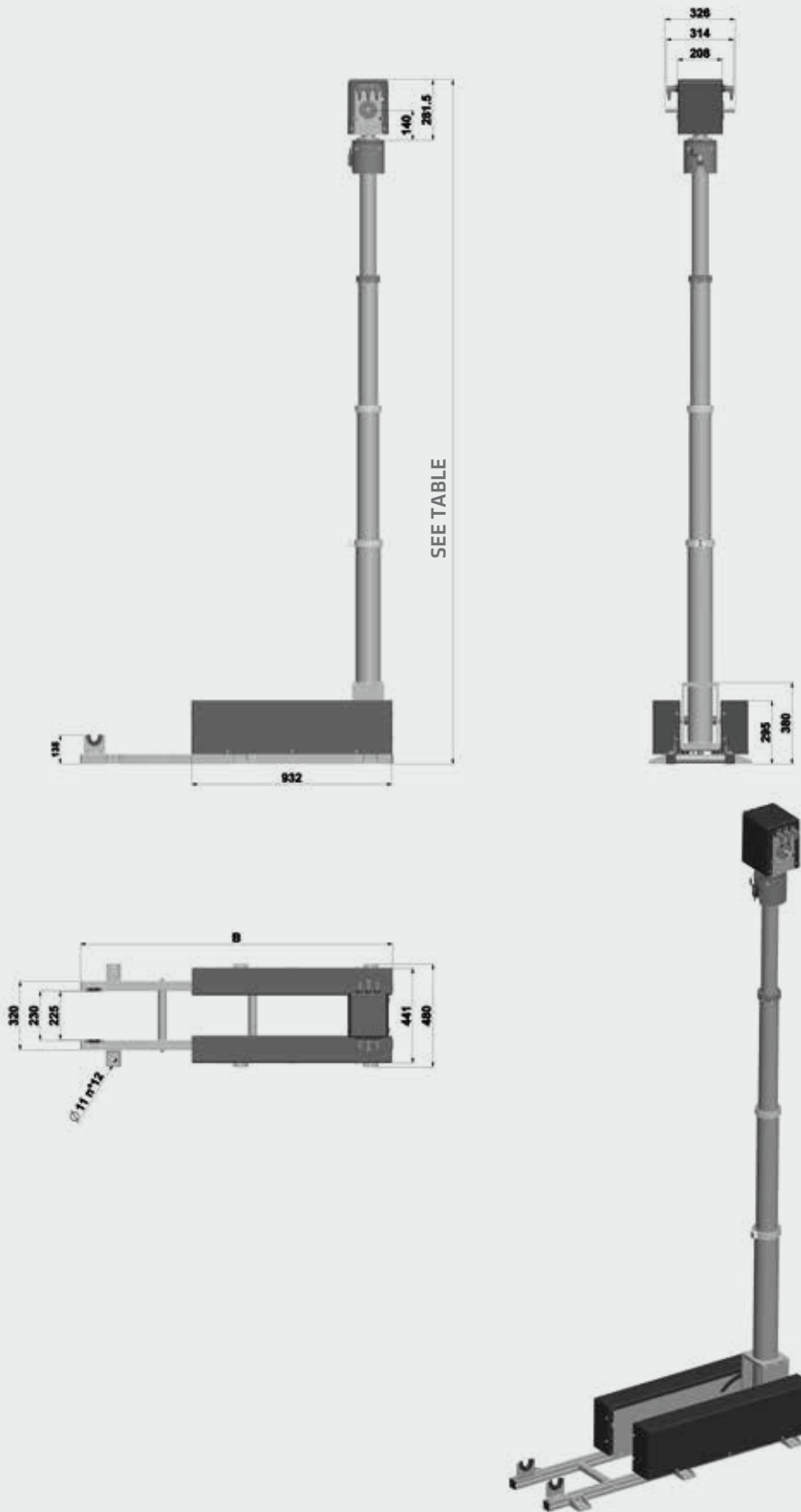
RE 57 - RE 58 : INTERNAL CABLE POSSIBLE? **Yes**

Retracted View



Electropneumatic Roof Plus Pro

Extended View



SPECIAL MAST SYSTEMS

Electropneumatic Roof Plus Pro

RE 57: INTERNAL CABLE POSSIBLE? **Yes**

		Ø 90	3 sections			
		RE 57	11	12	13	14
Code N	extended height	m	2.475	2.815	3.115	3.415
	retracted height	m	1.437	1.572	1.672	1.772
internal spiralled cable			Code Z - P - W			
max. top load		kg	25		20	
weight		kg	63	64	65	66
max. allowed wind speed		km / h	145	135	125	115
with max. surface			0,74 m ²			
max. air pressure			2,5 kg / cm ²			

RE 58: INTERNAL CABLE POSSIBLE? **Yes**

		Ø 115	4 sections			
		RE 58	11	12	13	14
Code N	extended height	m	3.101	3.467	3.867	4.253
	retracted height	m	1.531	1.605	1.705	1.818
internal spiralled cable			Code Z - P - W			
max. top load		kg	30		25	
weight		kg	68	69,5	71	72,5
max. allowed wind speed		km / h	160	150	140	130
with max. surface			0,74 m ²			
max. air pressure			2,5 kg / cm ²			
Example		RE.4811.NZ	4 sections - cable 9x1,5 + 13 x 0,22 mm ²			

Upon request we have also other solutions with extended heights up to 10m. Please contact us for details.