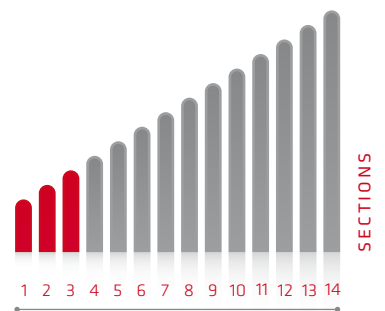


# Electropneumatic Roof Base Pro



The roof mast model BASE PRO has a main tube Ø64 and Ø77 and is equipped with a tilt and turn unit NOVA 12V or 24V, a micro switch, a multifunctional remote control for all the mast's functions (please see page 204), one electronic board and a built-in compressor.

As optional also a wireless remote control or a SMART remote control can be supplied (please see page 205).

This system is suitable for small lamp units, like 2x1000W Halogen, 2x1500W Halogen, 2xLED lamps etc.



APPLICATIONS

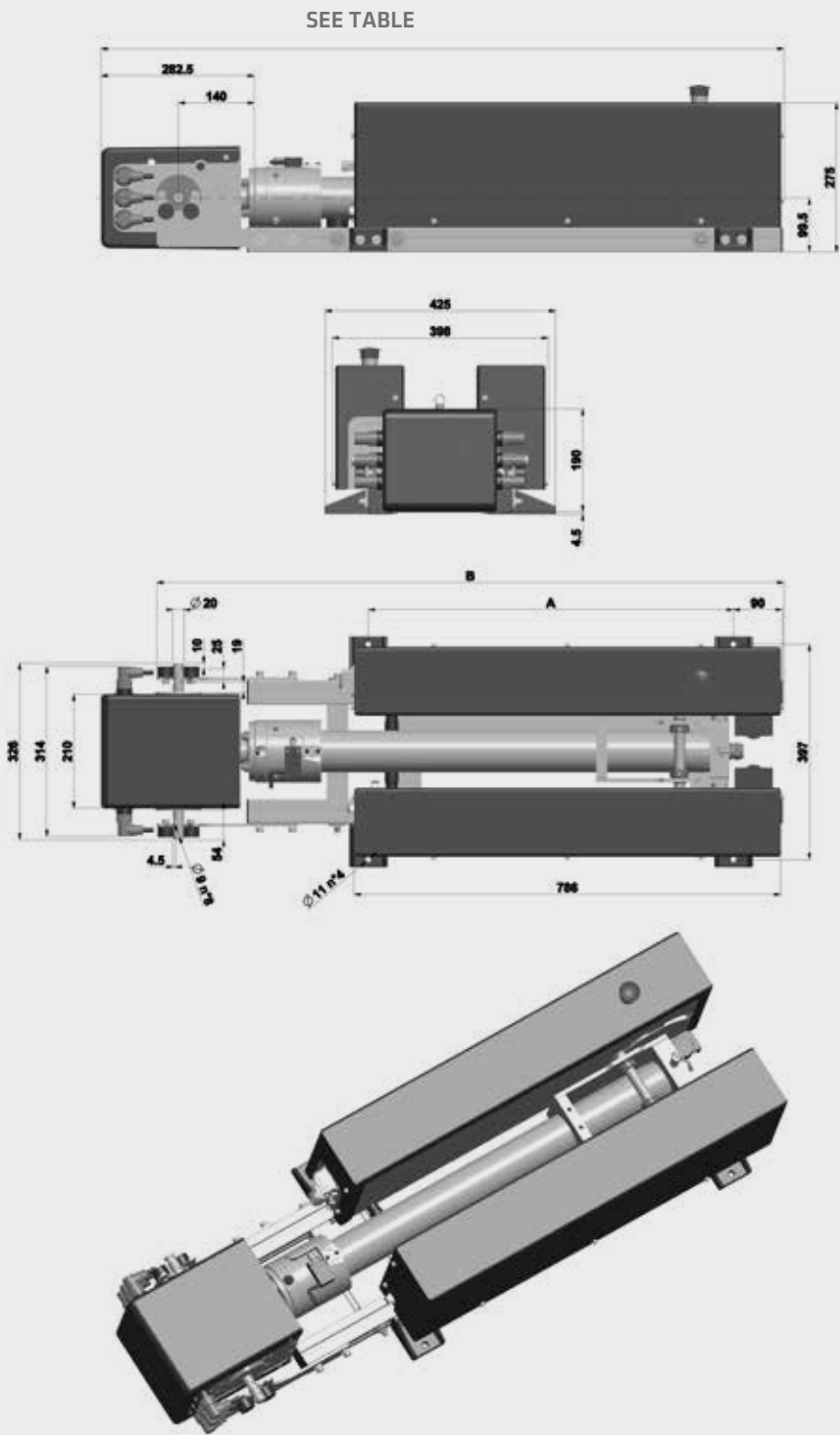
**SPECIAL MAST SYSTEMS**

**Electropneumatic Roof Base Pro**

TECHNICAL LAYOUT

RE 55 - RE 56: INTERNAL CABLE POSSIBLE? **Yes**

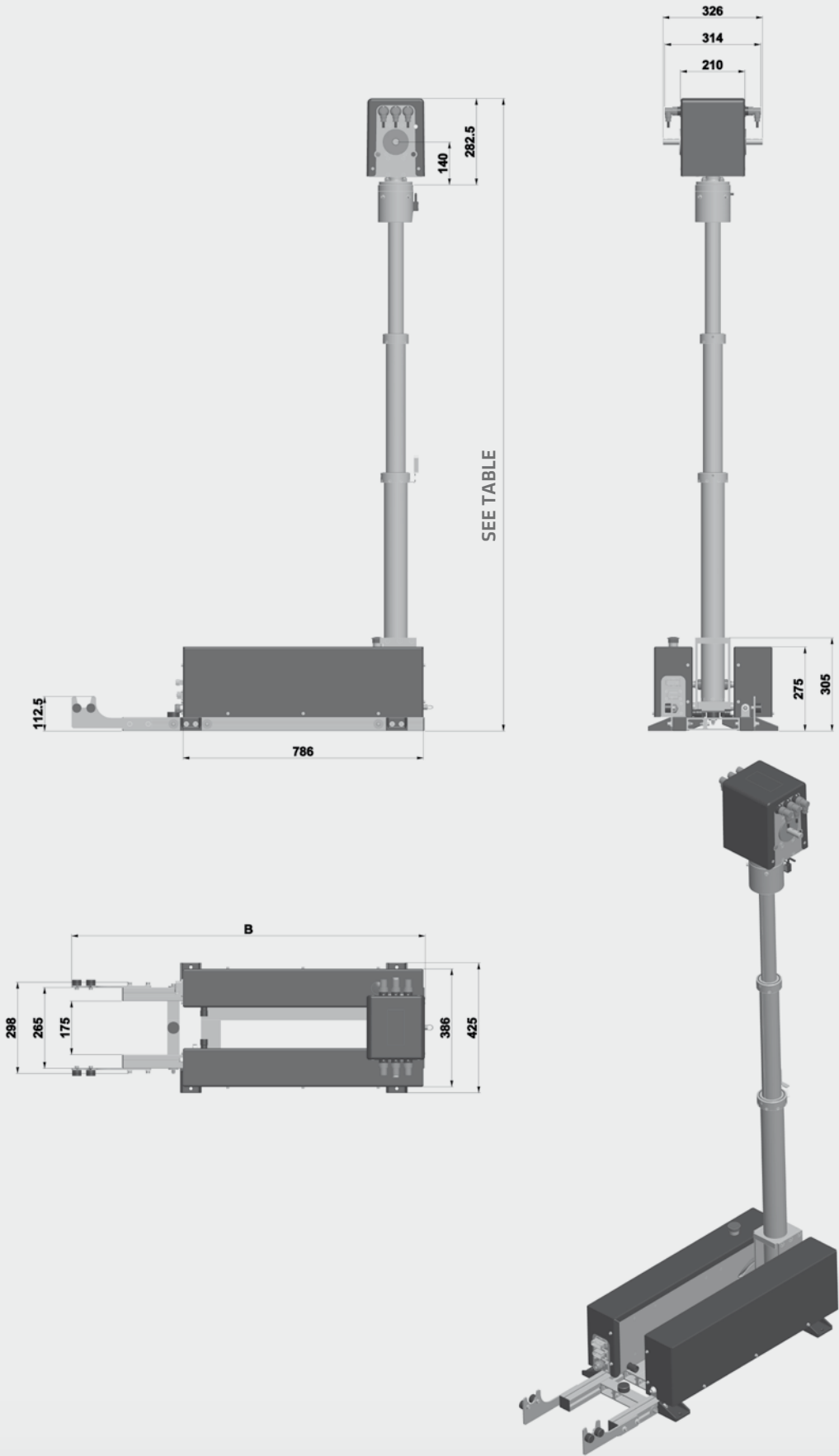
**Retracted View**



# SPECIAL MAST SYSTEMS

## Electropneumatic Roof Base Pro

Extended View



# Electropneumatic Roof Base Pro

## RE 55: INTERNAL CABLE POSSIBLE? **Yes**

ROOF BASE PRO Ø 64		2 sections		
RE 55		11	12	
Code N	extended height	m	1.734	2.219
	retracted height	m	1.264	1.520
	internal spiralled cable		Code Z - P	
	max. top load	kg	15	
	weight	kg Cod. P / H kg	49	51
	max. allowed wind speed	km / h	150	130
	with max. surface		0,54 m <sup>2</sup>	
	max. air pressure		2,5 kg / cm <sup>2</sup>	

## RE 56: INTERNAL CABLE POSSIBLE? **Yes**

ROOF BASE PRO Ø 77		3 sections				
RE 56		11	12	13	14	
Code N	extended height	m	2.068	2.503	2.990	3.118
	retracted height	m	1.255	1.368	1.563	1.596
	internal spiralled cable		Code Z - P			
	max. top load	kg	15			
	weight	kg	51	52	53,5	54
	max. allowed wind speed	km / h	160	140	125	120
	with max. surface		0,54 m <sup>2</sup>			
	max. air pressure		2,5 kg / cm <sup>2</sup>			