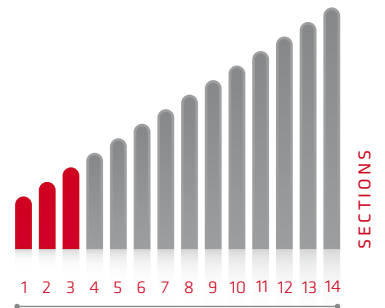


Electropneumatic Roof Base Pro



The roof mast model BASE PRO has a main tube $\varnothing 64$ and $\varnothing 77$ and is equipped with a tilt and turn unit NOVA 12V or 24V, a micro switch, a multifunctional remote control for all the mast's functions (please see page 204), one electronic board and a built-in compressor.

As optional also a wireless remote control or a SMART remote control can be supplied (please see page 205).

This system is suitable for small lamp units, like 2x1000W Halogen, 2x1500W Halogen, 2xLED lamps etc.



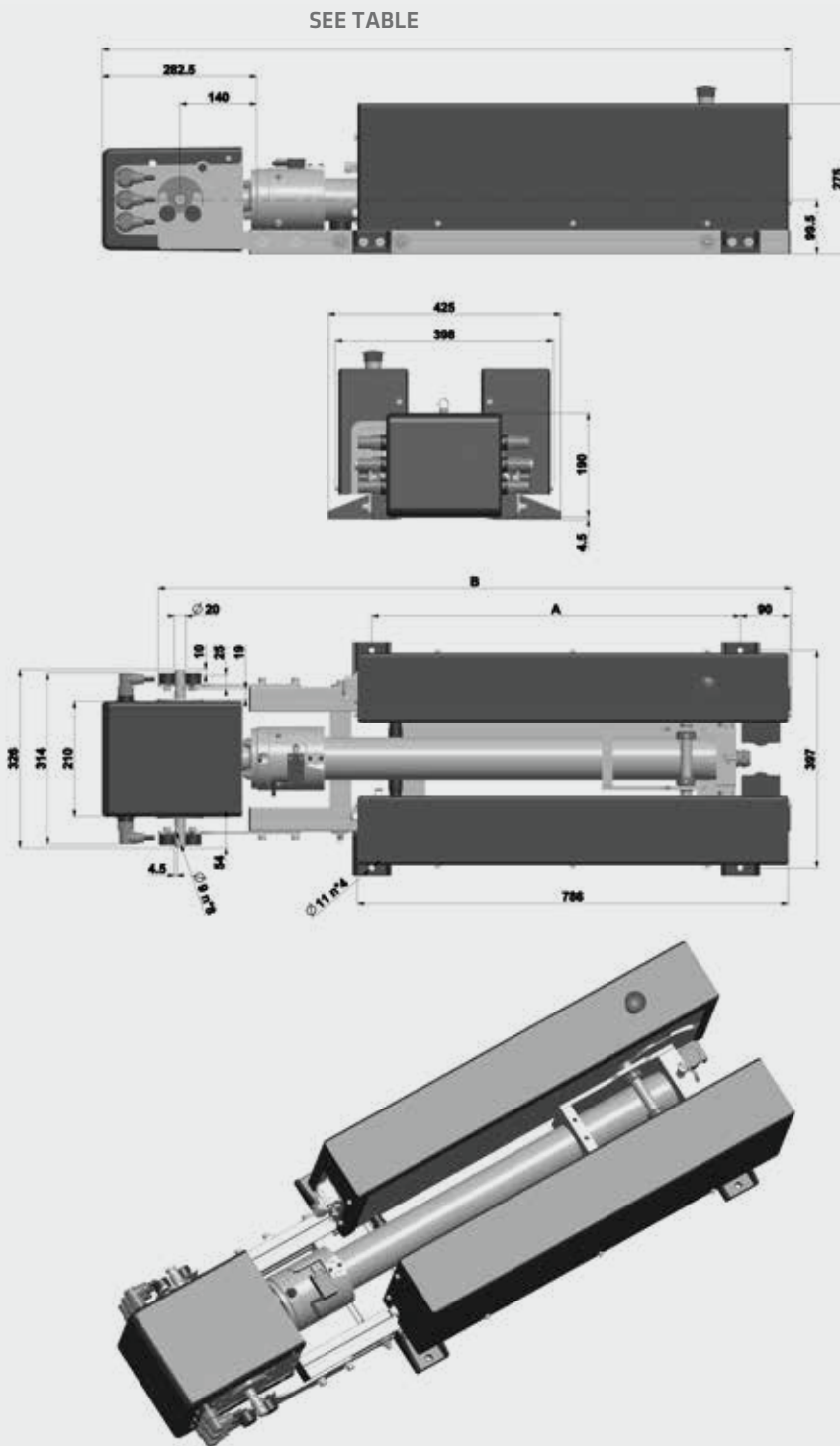
SPECIAL MAST SYSTEMS

Electropneumatic Roof Base Pro

TECHNICAL LAYOUT

RE 55 - RE 56: INTERNAL CABLE POSSIBLE? **Yes**

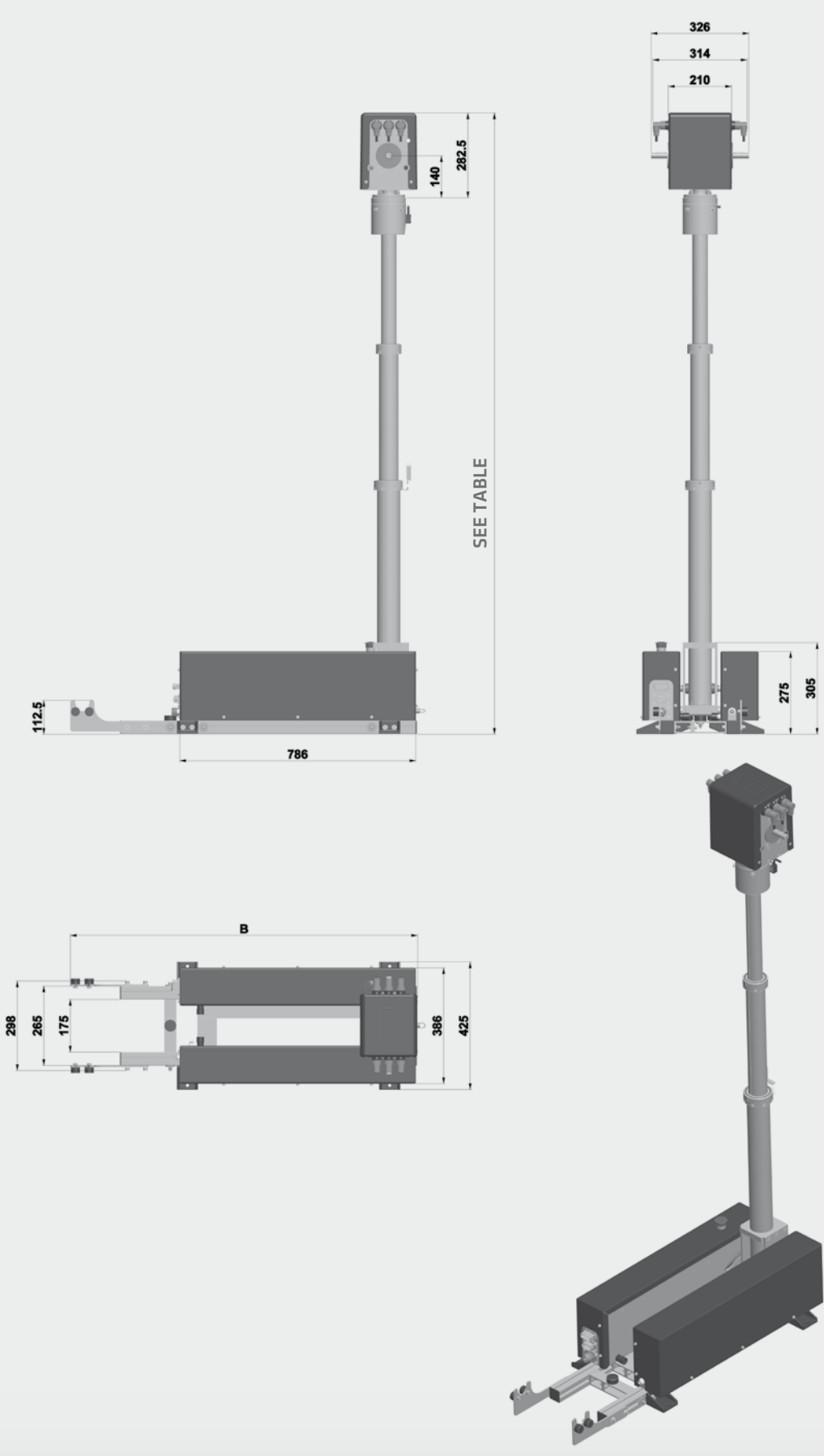
Retracted View



SPECIAL MAST SYSTEMS

Electropneumatic Roof Base Pro

Extended View



Electropneumatic Roof Base Pro

RE 55: INTERNAL CABLE POSSIBLE? **Yes**

ROOF BASE PRO Ø 64		2 sections		
RE 55		11	12	
Code N	extended height	m	1.734	2.219
	retracted height	m	1.264	1.520
	internal spiralled cable		Code Z - P	
	max. top load	kg	15	
	weight	kg Cod. P / H kg	49	51
	max. allowed wind speed	km / h	150	130
	with max. surface		0,54 m ²	
	max. air pressure		2,5 kg / cm ²	

RE 56: INTERNAL CABLE POSSIBLE? **Yes**

ROOF BASE PRO Ø 77		3 sections				
RE 56		11	12	13	14	
Code N	extended height	m	2.068	2.503	2.990	3.118
	retracted height	m	1.255	1.368	1.563	1.596
	internal spiralled cable		Code Z - P			
	max. top load	kg	15			
	weight	kg	51	52	53,5	54
	max. allowed wind speed	km / h	160	140	125	120
	with max. surface		0,54 m ²			
	max. air pressure		2,5 kg / cm ²			