

MEDIUM Ø SIZE

101mm Base Tube Diameter

PRODUCT CODES: CM 50 - CM 599

INTERNAL CABLE POSSIBLE? **No**

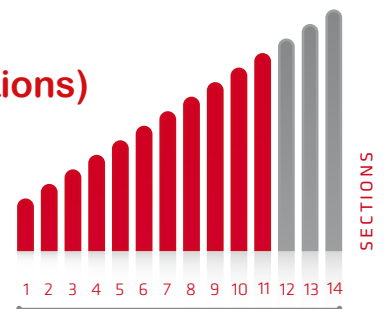
Prior to selecting equipment, it would be useful if you could obtain the following information...

- Required mast height when extended
- Required mast height when retracted

- Headload weight
- Headload dimensions
- Headload shape

- Mast deployment location (+ anticipated weather conditions)
- Ground conditions/Terrain
- Guying assembly requirements
- Mast deployment method
- Transportation method (i.e. vehicle size and type)

- Cabling requirements



This mast is the largest mast of the portable range and has a diameter of 101mm.

The extended heights are from 7.5m up to 20m and the mast can be equipped with a hand pump.

Each collar has a built-in clamp to allow semi-permanent extension and prevent turning of the sections.

The mast head has a Ø24mm quick release female socket connection for mounting various headloads.



SECTIONS

APPLICATIONS

PORTABLE MASTS

101mm Base Tube Diameter

TECHNICAL LAYOUT

PRODUCT CODES: CM 50 - CM 59

INTERNAL CABLE POSSIBLE? No

A (mm)

7 sections 298

8 sections 336

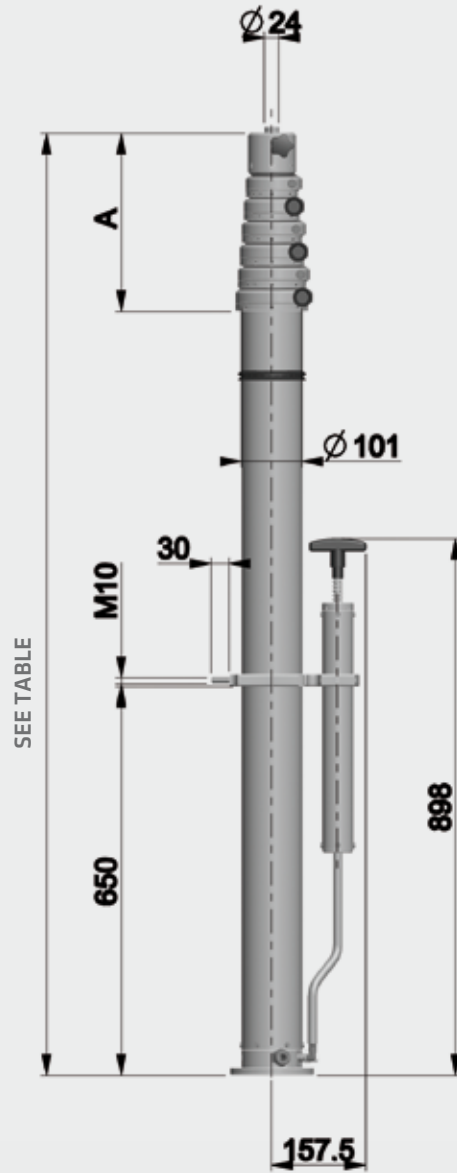
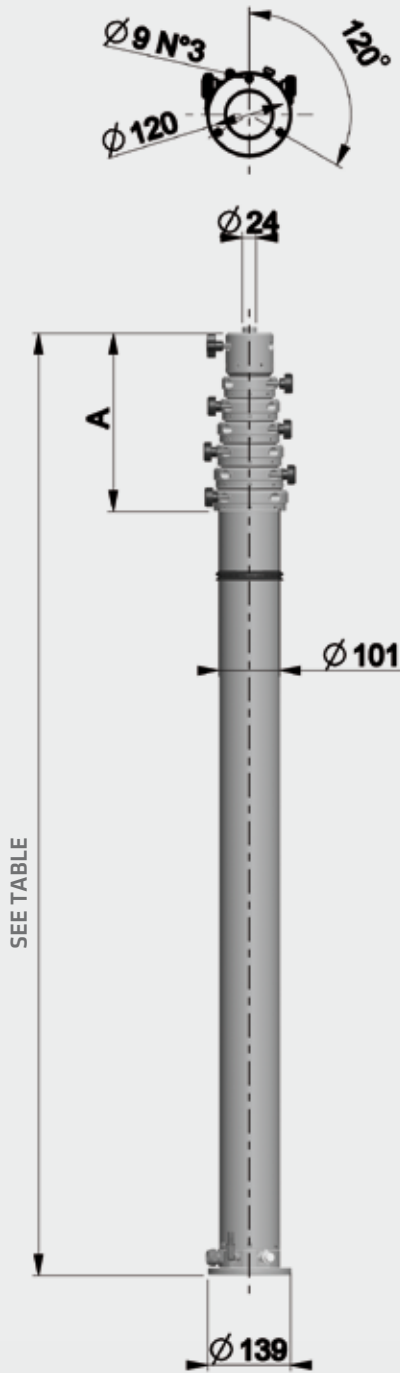
9 sections 374

10 sections 412

11 sections 450

TYPE P (EXTENDED MANUALLY, WITH COMPRESSOR OR SEPARATE STAND PUMP)

TYPE H (WITH INTEGRAL HANDPUMP)



PORTABLE MASTS**SMALL Ø SIZE 101mm Base Tube Diameter****CM 57: INTERNAL CABLE POSSIBLE? No**

| | | Ø 101 mm | 7 sections | | | | |
|----------|--------------------------------------|---------------------|---|-------|--------------------------|--------|--------|
| | | CM 57 | 01 | 02 | 03 | 04 | 05 |
| Code P/H | extended height | m | 7.476 | 9.046 | 10.496 | 12.476 | 15.106 |
| | retracted height | m | 1.575 | 1.825 | 2.075 | 2.375 | 2.785 |
| | max. top load | kg | 22 | 20 | 18 | 12 | 10 |
| | weight | kg Cod. P / H kg | 19,6 | 22,1 | 24,6 | 27,5 | 30,6 |
| | max. allowed wind speed* | km / h | 85 | 70 | 60 | 120 | 120 |
| | with max. surface 0,1 m ² | | guyed | | | | |
| | Ø top section | | 59 mm | | | | |
| | | | Guy lines to be fitted to the second to top section | | 2 Levels of guying rings | | |

CM 58: INTERNAL CABLE POSSIBLE? No

| | | Ø 101 mm | 8 sections | | | | | |
|----------|--------------------------------------|---------------------|---|--------|--------------------------|--------|--------|--------|
| | | CM 58 | 07 | 08 | 09 | 10 | 11 | 12 |
| Code P/H | extended height | m | 9.030 | 10.550 | 12.000 | 13.520 | 14.960 | 17.010 |
| | retracted height | m | 1.715 | 1.940 | 2.130 | 2.320 | 2.500 | 2.800 |
| | max. top load | kg | 14 | 12 | 11 | 10 | 9 | 8 |
| | weight | kg Cod. P / H kg | 22,3 | 24,7 | 26,7 | 28,6 | 30,5 | 32,8 |
| | max. allowed wind speed* | km / h | 70 | 55 | 115 | 100 | 120 | 110 |
| | with max. surface 0,1 m ² | | guyed | | | | | |
| | Ø top section | | 52 mm | | | | | |
| | | | 1 Level of guying rings | | 2 Levels of guying rings | | | |
| | | | Guy lines to be fitted to the second to top section | | | | | |

⚠ Please contact us for accurate deflection charts and windage data. The wind speeds above are examples only.

*When erecting masts with guying ropes, take extreme care during the extension phase. Maximum allowed wind speed during extension is 20km/h

SECTION 1 **PORTABLE MASTS**

MEDIUM Ø SIZE 101mm Base Tube Diameter

CM 59: INTERNAL CABLE POSSIBLE? No

| Ø 101 mm | | 9 sections | | | | | | | | | |
|---------------|--------------------------------------|--|-------|---|--------|--------|-------------------------------|--------|-------------------------------|--------|--|
| CM 59 | | 01 | 02 | 03 | 04 | 05 | 06 | 07 | 08 | | |
| Code P/H | extended height | m | 7.512 | 9.052 | 10.502 | 12.032 | 13.492 | 15.022 | 16.860 | 19.832 | |
| | retracted height | m | 1.500 | 1.680 | 1.850 | 2.020 | 2.200 | 2.370 | 2.592 | 3.100 | |
| | max. top load | kg | 14 | 13 | 12 | 10 | 9 | 8 | 7 | 5 | |
| | weight | kg Cod. P/H kg | 21,2 | 23,2 | 25,1 | 27 | 29 | 30,8 | 32,5 | 38,2 | |
| | max. allowed wind speed* | km / h | 80 | 65 | 55 | 100 | 90 | 120 | 110 | 120 | |
| | with max. surface 0,1 m ² | | guyed | | | | | | | | |
| Ø top section | | 45 mm | | | | | | | | | |
| | | | | 1 Level of guying rings | | | 2 Levels of guying rings 2 | | 3 Levels of guying rings 3 | | |
| | | | | Guy lines to be fitted to the second to top section | | | | | | | |
| Example | CM.5905.H | pneumatic - with hand pump and locking 9 sections - without cable | | | | | | | | | |

CM 50: INTERNAL CABLE POSSIBLE? No

| Ø 101 mm | | 10 sections | | | | | | | |
|---------------|--------------------------------------|---------------------------|-------|-------|---|--------|--------------------------|--------|--------|
| CM 50 | | 07 | 08 | 09 | 10 | 11 | 12 | 13 | |
| Code P/H | extended height | m | 6.047 | 7.547 | 8.867 | 10.457 | 11.957 | 13.457 | 14.597 |
| | retracted height | m | 1.250 | 1.400 | 1.550 | 1.700 | 1.850 | 2.000 | 2.150 |
| | max. top load | kg | 13 | 13 | 11 | 9 | 8 | 7 | 5 |
| | weight | kg Cod. P / H kg | 18,6 | 20,4 | 22,2 | 23,9 | 25,6 | 27,3 | 29,2 |
| | max. allowed wind speed* | km / h | 100 | 80 | 130 | 110 | 90 | 130 | 120 |
| | with max. surface 0,1 m ² | | guyed | | | | | | |
| Ø top section | | 38 mm | | | | | | | |
| | | | | | 1 Level of guying rings | | 2 Levels of guying rings | | |
| | | | | | Guy lines to be fitted to the second to top section | | | | |

⚠ Please contact us for accurate deflection charts and windage data. The wind speeds above are examples only.

*When erecting masts with guying ropes, take extreme care during the extension phase. Maximum allowed wind speed during extension is 20km/h

PORTABLE MASTS**MEDIUM Ø SIZE 101mm Base Tube Diameter****CM 51: INTERNAL CABLE POSSIBLE? No**

| Ø 101 mm | | 11 sections | | | | | | |
|---------------|--|---|-------|-------|-------|-------|--------|--------|
| CM 51 | | 01 | 02 | 03 | 04 | 05 | 06 | |
| Code P/H | extended height | m | 4.958 | 6.495 | 8.035 | 9.475 | 10.995 | 12.455 |
| | retracted height | m | 983 | 1.250 | 1.390 | 1.530 | 1.650 | 1.810 |
| | max. top load | kg | 9 | 8 | 8 | 7 | 6 | 6 |
| | weight | kg Cod. P / H kg | 14,9 | 18,8 | 20,4 | 22,2 | 22,9 | 25,6 |
| | max. allowed wind speed* with max. surface 0,1 m ² | km / h | 130 | 95 | 75 | 110 | 95 | 80 |
| | | | | | guyed | | | |
| Ø top section | | 31 mm | | | | | | |
| | | 1 Level of guying rings | | | | | | |
| | | Guy lines to be fitted to the second to top section | | | | | | |
| Example | CM.5106.H | pneumatic - with hand pump and locking 11 sections - without cable | | | | | | |

⚠ Please contact us for accurate deflection charts and windage data. The wind speeds above are examples only.

*When erecting masts with guying ropes, take extreme care during the extension phase. Maximum allowed wind speed during extension is 20km/h