

PORTABLE MASTS

CATEGORY

SMALL Ø SIZE

66mm Base Tube Diameter

PRODUCT CODES: CN 52 - CN 53

INTERNAL CABLE POSSIBLE? **Yes**

Prior to selecting equipment, it would be useful if you could obtain the following information...

- Required mast height when extended
- Required mast height when retracted

- Headload weight
- Headload dimensions
- Headload shape

- Mast deployment location (+ anticipated weather conditions)
- Ground conditions/Terrain
- Mast deployment method
- Transportation method (i.e. vehicle size and type)

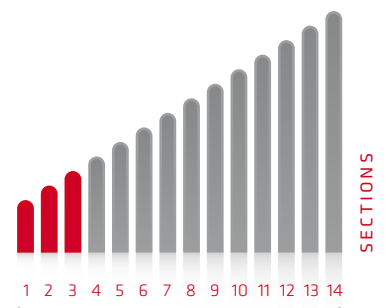
- Cabling requirements

This mast is the first of the portable mast range with the option of internal electrical cable.

It is a light and economic telescopic mast with a diameter of 66mm. The extended heights are from 2m up to 4m and the mast can be equipped with a hand pump.

Each collar has a built-in clamp to allow semi-permanent extension and prevent turning of the sections.

The mast head has a Ø24mm quick release female socket connection. An optional socket and plug can be supplied for connecting 12v, 24v, 110v or other electrical items.



APPLICATIONS

66mm Base Tube Diameter

TECHNICAL LAYOUT

PRODUCT CODES: CN 52 - CN 53

INTERNAL CABLE POSSIBLE? **Yes**

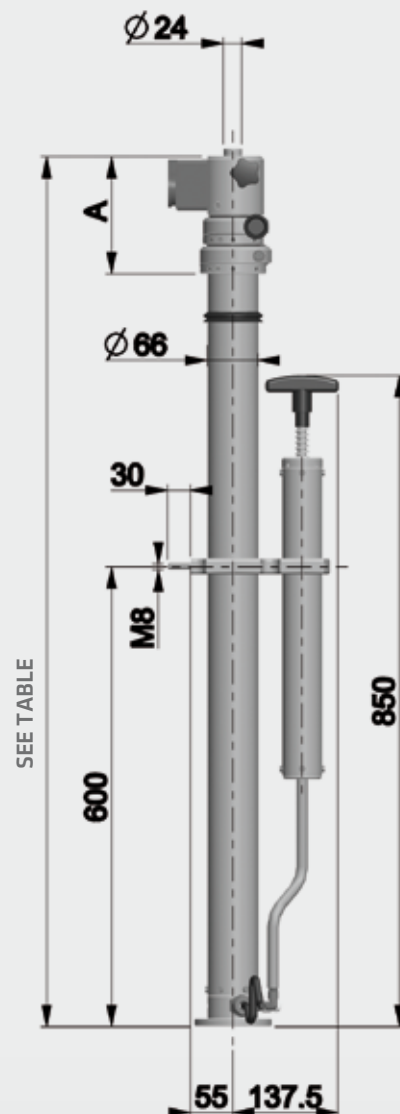
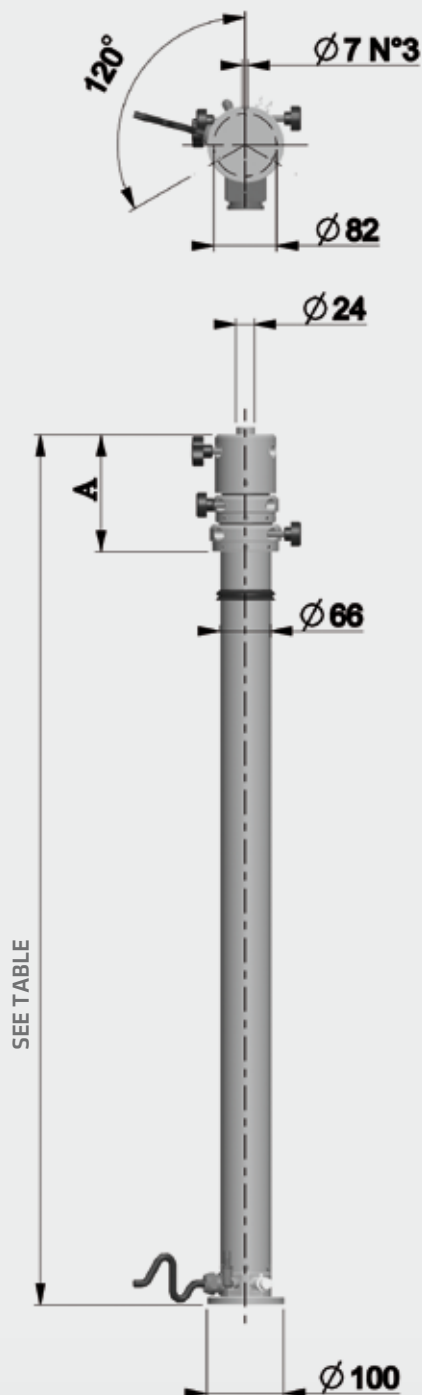
A (mm)

2 sections 115

3 sections 153

TYPE P (EXTENDED MANUALLY, WITH COMPRESSOR OR SEPARATE STAND PUMP)

TYPE H (WITH INTEGRAL HANDPUMP)



PORTABLE MASTS**SMALL Ø SIZE 66mm Base Tube Diameter****CN 52: INTERNAL CABLE POSSIBLE? Yes**

		Ø 66 mm	2 sections		
		CN 52	11	12	13
Code P/H	extended height	m	2.004	2.494	2.990
	retracted height	m	1.200	1.450	1.700
internal spiralled cable		Standard 4x1,5 mm ² Cod. B optional Cod. H			
	max. top load	kg	23	23	23
	weight	kg Cod. P / H kg	4,5	5	5,5
	max. allowed wind speed	km / h with max. surface: 0,24 m ²	180	165	150

CN 53: INTERNAL CABLE POSSIBLE? Yes

		Ø 66 mm	3 sections			
		CN 53	01	02	03	04
Code P/H	extended height	m	2.498	3.003	3.443	3.963
	retracted height	m	1.135	1.300	1.470	1.640
internal spiralled cable		Standard 4x1,5 mm ² Cod. B optional Cod. H				
	max. top load	kg	20	20	19	18
	weight	kg Cod. P / H kg	5,5	6	6,5	7
	max. allowed wind speed	km / h with max. surface: 0,2 m ²	150	135	120	110
Example	CN.5213.HH	pneumatic with hand pump and lockings 2 sections - internal cable 5 x 1 + 4 x 0,5 mm ²				